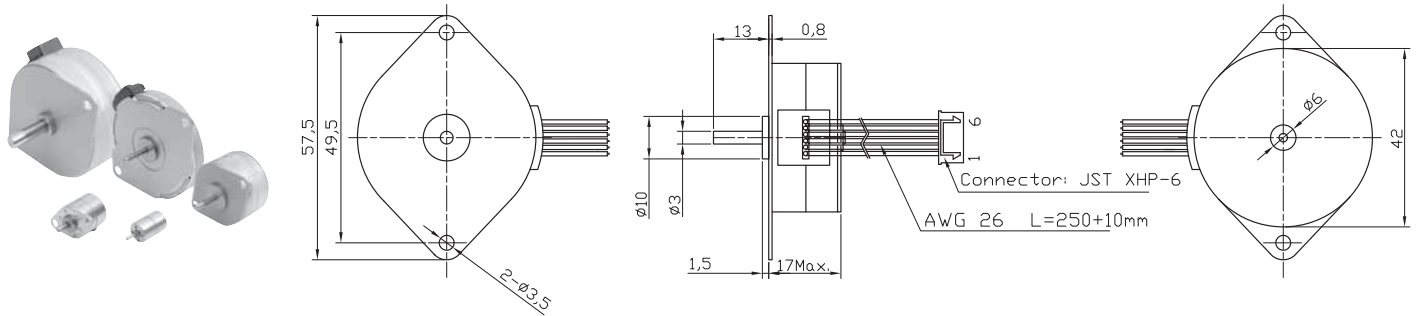


PM Stepper MOTOR

42PM17 High Torque Hybrid



Characteristics

STEP ANGLE

7,5°

STEP ANGLE ACCURACY

± 7%

INSULATION CLASS

B

AMBIENT TEMPERATURE

-10°C +50°C

TEMP. RISE

80°C MAX (RATED CURRENT, 2 PHASE ON)

INSULATION RESISTANCE

100 M OHM MIN. 500 VDC

DIELECTRIC STRENGTH

500 VAC FOR ONE MINUTE

MAX RADIAL FORCE

5 N (3 MM FROM FRONT FLANGE)

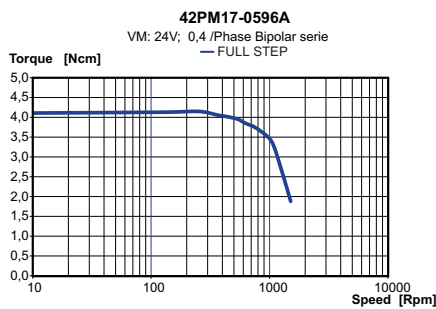
MAX AXIAL FORCE

2 N

Specification

Model	42PM17-0596A		
1 RATED VOLTAGE	V	5	
2 CURRENT/PHASE	A	0,59	
3 RESISTANCE/PHASE	Ω	8,6	
4 INDUCTANCE/PHASE	mH	4,5	
5 HOLDING TORQUE	Nm	0,05	
6 ROTOR INERTIA	KG-M ²	9,6X10-7	
7 WEIGHT	KG	0,11	
8 NUMBER OF LEADS	Nº	6	

Speed vs. Torque Characteristics



Connection

PIN N°	COLOR	GAUGE	FUNCTION
1	WHITE	UL1430 AWG30	PHASE A
2	RED	UL1430 AWG30	PHASE A-
3	BLUE	UL1430 AWG30	PHASE B
4	YELLOW	UL1430 AWG30	PHASE B-
5	BLACK	UL1430 AWG30	COMM A
6	BROWN	UL1430 AWG30	COMM B

