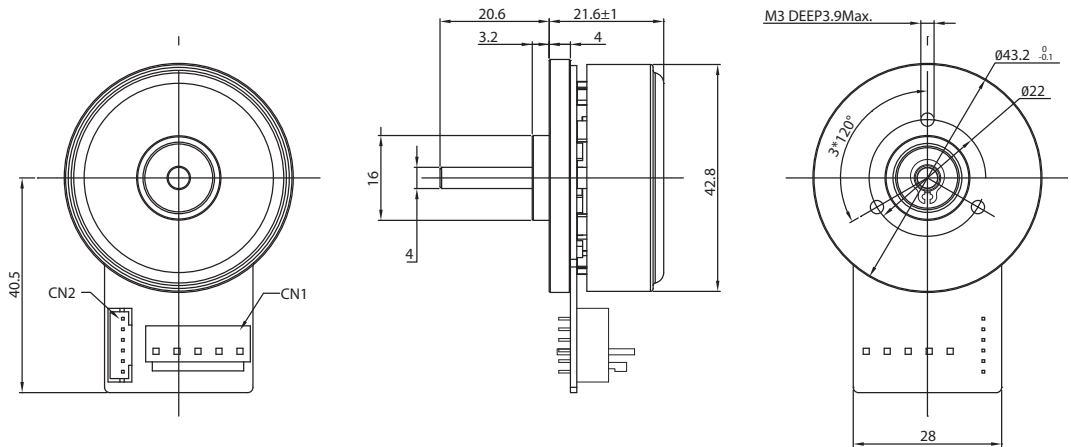
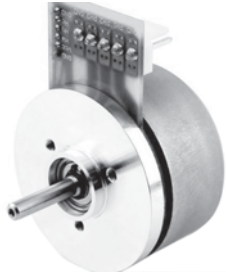


# Brushless MOTOR

45BLW21 Flat



## Characteristics

**HALL EFFECT ANGLE**  
120 ° ELECTRIC ANGLE

**SHAFT RUN OUT**  
0,03 MM

**INSULATION CLASS**  
B

**RADIAL PLAY**  
0,02 MM (450 G LOAD)

**AXIAL PLAY**  
0,08 MM (450 G LOAD)

**MAX RADIAL FORCE**  
28N 10MM FROM FLANGE

**MAX AXIAL FORCE**  
10N

**DIELECTRIC STRENGTH**  
500 VDC FOR ONE MINUTE

**INSULATION RESISTANCE**  
100 M OHM MIN. 500 VDC

## Specification

Model	45BLW21	
1	N° OF POLE	16
2	N° OF PHASE	3
3	RATED VOLTAGE V	24
4	RATED SPEED RPM	5260
5	RATED TORQUE Nm	0,084
6	MAX PEAK TORQUE Nm	0,25
7	TORQUE CONSTANT Nm/A	0,033
8	LINE TO LINE RESISTANCE Ω	0,9
9	LINE TO LINE INDUCTANCE mH	0,425
10	MAX PEAK CURRENT A	7
11	LENGTH MM	21
12	ROTOR INERTIA g-cm <sup>2</sup>	135
13	WEIGHT Kg	0,12

## Connection

PIN N°	CONNECTOR	FUNCTION
1	JST B5P	GND
2	JST B5P	PHASE U
3	JST B5P	PHASE V
4	JST B5P	PHASE W
5	JST B5P	GND
1	JST B6B	GND
2	JST B6B	+ 5V DC
3	JST B6B	HALL A
4	JST B6B	HALL B
5	JST B6B	HALL C
6	JST B6B	GND

