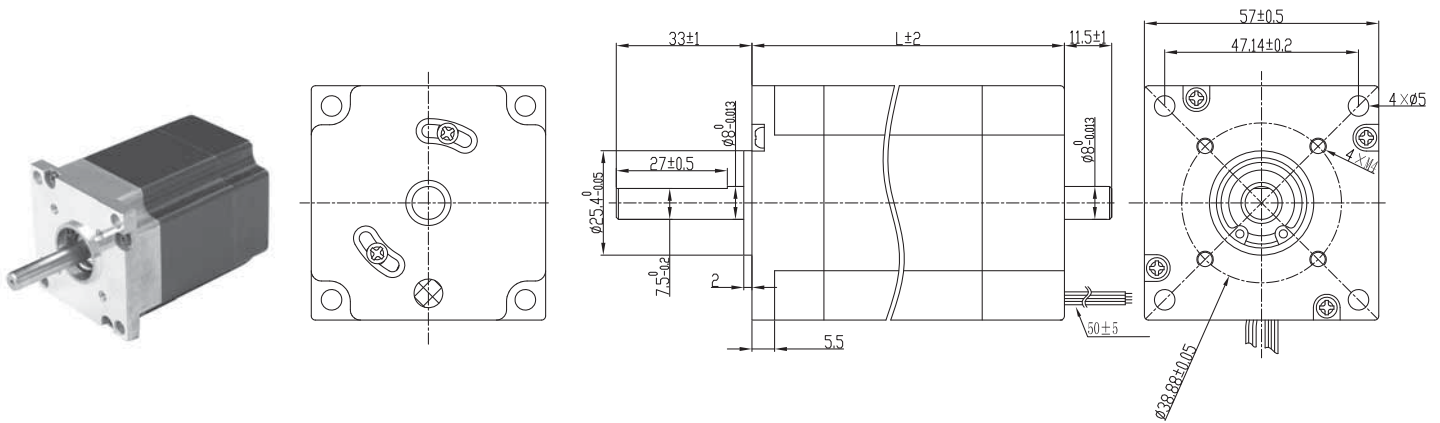


Brushless MOTOR

57BLB



BE version: rear shaft 13mm- 2x M2.5 on diam. 46 mm

Characteristics

HALL EFFECT ANGLE
120° ELECTRIC ANGLE

SHAFT RUN OUT
0,025 MM

INSULATION CLASS
F

RADIAL PLAY
0,025 MM (450 G LOAD)

AXIAL PLAY
0,08 MM (450 G LOAD)

MAX RADIAL FORCE
115N 10MM FROM FLANGE

MAX AXIAL FORCE
45N

DIELECTRIC STRENGTH
500 VDC FOR ONE MINUTE

INSULATION RESISTANCE
100 M OHM MIN. 500 VDC

Specification

Model		57BLB40	57BLB60	57BLB80
1	N° OF POLE	8	8	8
2	N° OF PHASE	3	3	3
3	RATED VOLTAGE	V 36	36	36
4	RATED SPEED	RPM 3000	3000	3000
5	RATED TORQUE	Nm 0,3	0,45	0,6
6	MAX PEAK TORQUE	Nm 0,9	1,35	1,8
7	TORQUE CONSTANT	Nm/A 0,08	0,08	0,08
8	LINE TO LINE RESISTANCE	Ω 1,2	0,8	0,5
9	LINE TO LINE INDUCTANCE	mH 1,2	0,8	0,6
10	MAX PEAK CURRENT	A 12,3	16,2	22,5
11	LENGTH	MM 76	96	116
12	ROTOR INERTIA	g-cm ² 210	320	430
13	WEIGHT	Kg 0,8	1	1,2

Connection

LEAD N°	COLOR	GAUGE	FUNCTION
1	RED	UL3265 AWG28	Vcc HALL SENSOR + 5 TO 24Vdc
2	YELLOW	UL3265 AWG28	HALL A
3	BLUE	UL3265 AWG28	HALL B
4	PURPLE	UL3265 AWG28	HALL C
5	BLACK	UL3265 AWG28	GND HALL SENSOR
6	RED	UL3265 AWG28	PHASE U
7	BLUE	UL3265 AWG28	PHASE V
8	BLACK	UL3265 AWG28	PHASE W

