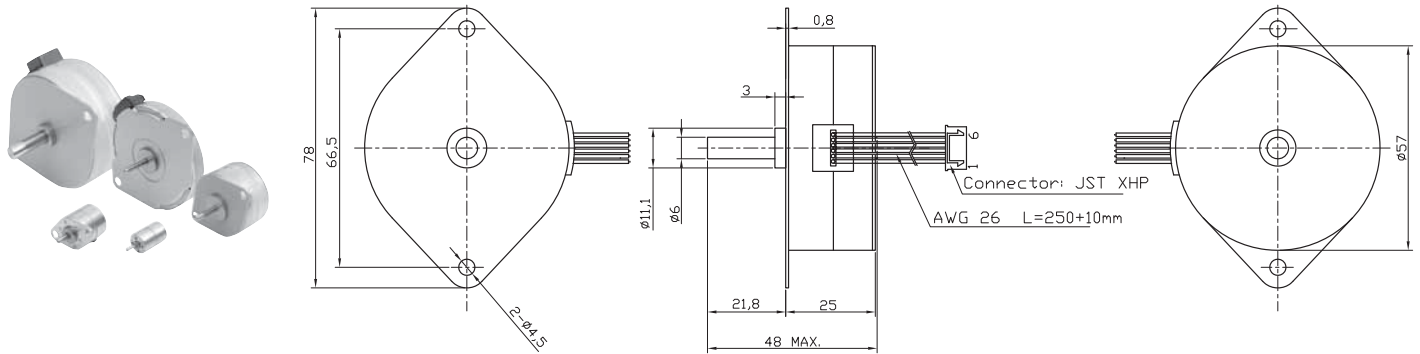


PM Stepper MOTOR

57PM25 High Torque Hybrid



Characteristics

STEP ANGLE
7,5°

STEP ANGLE ACCURACY
± 8%

INSULATION CLASS
B

AMBIENT TEMPERATURE
-20°C +50°C

TEMP. RISE
80°C MAX (RATED CURRENT, 2 PHASE ON)

INSULATION RESISTANCE
100 M OHM MIN. 500 VDC

DIELECTRIC STRENGTH
500 VAC FOR ONE MINUTE

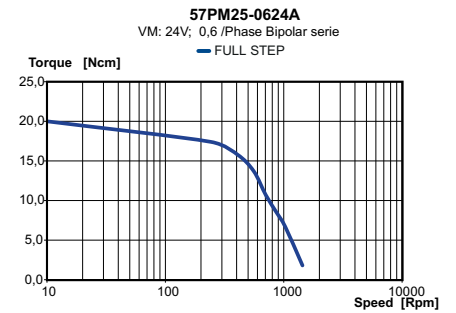
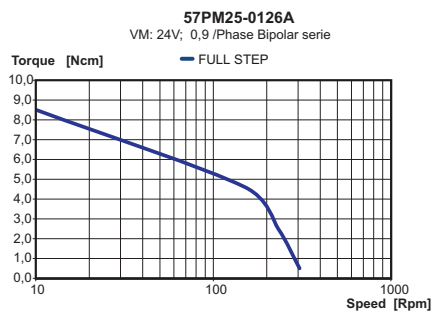
MAX RADIAL FORCE
5 N (3 MM FROM FRONT FLANGE)

MAX AXIAL FORCE
2 N

Specification

Model		57PM25-0126A	57PM25-0624A
1 RATED VOLTAGE	V	12	5,6
2 CURRENT/PHASE	A	0,12	0,625
3 RESISTANCE/PHASE	Ω	100	9
4 INDUCTANCE/PHASE	mH	107	19,9
5 HOLDING TORQUE	Nm	0,15	0,12
6 ROTOR INERTIA	g-cm ²	1,25X10 ⁶	1,25X10 ⁶
7 WEIGHT	KG	0,27	0,27
8 NUMBER OF LEADS	Nº	6	4

Speed vs. Torque Characteristics



Connection

PIN N°	COLOR	GAUGE	FUNCTION
1	WHITE	UL1430 AWG30	PHASE A
2	RED	UL1430 AWG30	PHASE A-
3	BLUE	UL1430 AWG30	PHASE B
4	YELLOW	UL1430 AWG30	PHASE B-
5	BLACK	UL1430 AWG30	COMM A
6	BROWN	UL1430 AWG30	COMM B

