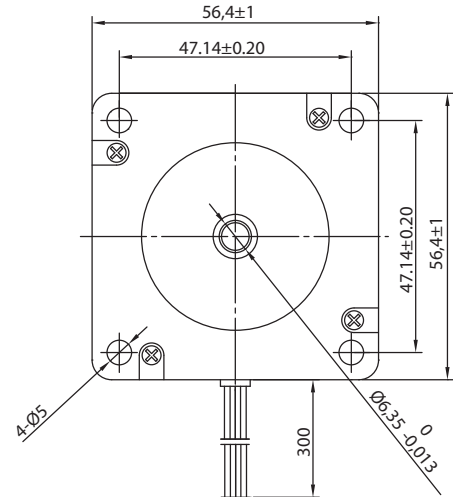
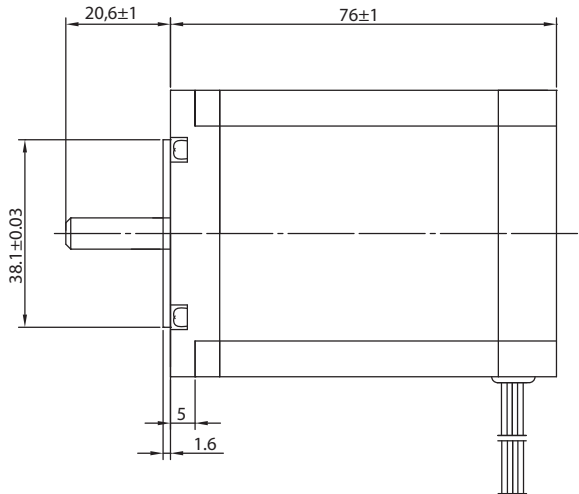
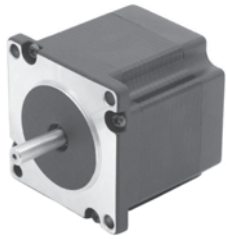


Stepper MOTOR

57SH76-M High Torque Hybrid



BE version: rear shaft 13mm- 2x M2.5 on diam. 46 mm

Characteristics

STEP ANGLE
0,9°

STEP ANGLE ACCURACY
± 5%

INSULATION CLASS
B

AMBIENT TEMPERATURE
-20°C +50°C

TEMP. RISE
80°C MAX (RATED CURRENT, 2 PHASE ON)

INSULATION RESISTANCE
100 M OHM MIN. 500 VDC

DIELECTRIC STRENGTH
500 VAC FOR ONE MINUTE

SHAFT RADIAL PLAY
0,02 MAX (450 G LOAD)

SHAFT AXIAL PLAY
0,08 MAX. (450 G LOAD)

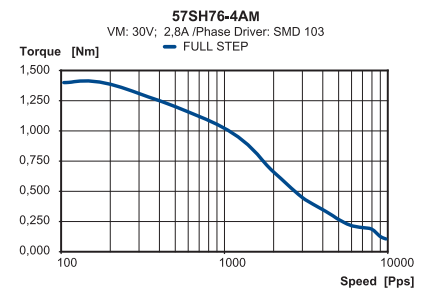
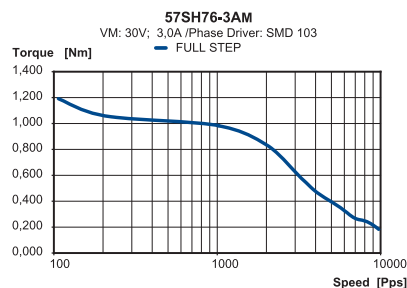
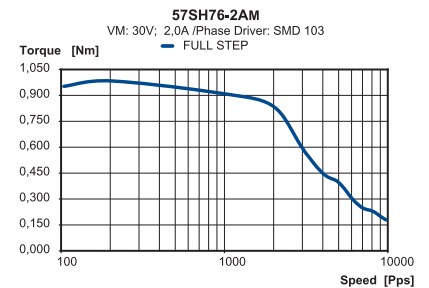
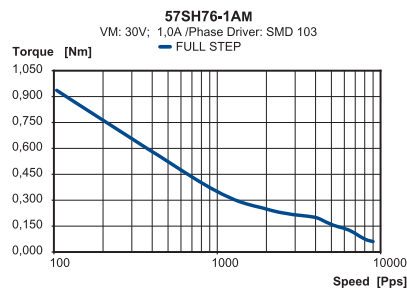
MAX RADIAL FORCE
75 N (20 MM FROM FRONT FLANGE)

MAX AXIAL FORCE
15 N

Specification

Model		57SH76-1AM	57SH76-2AM	57SH76-3AM	57SH76-4AM
1 RATED VOLTAGE	V	8,6	4,5	3	3,2
2 CURRENT/PHASE	A	1	2	3	2,8
3 RESISTANCE/PHASE	Ω	8,6	2,25	1	1,13
4 INDUCTANCE/PHASE	mH	23	5,6	2,6	5,6
5 HOLDING TORQUE	Nm	1,35	1,35	1,35	1,89
6 ROTOR INERTIA	g·cm ²	480	480	480	480
7 WEIGHT	KG	1	1	1	1
8 NUMBER OF LEADS	N°	6	6	6	4

Speed vs. Torque Characteristics



Connection

LEAD N°	COLOR	GAUGE	FUNCTION
1	BLACK	UL1430 AWG22	PHASE A
2	GREEN	UL1430 AWG22	PHASE A-
3	RED	UL1430 AWG22	PHASE B
4	BLUE	UL1430 AWG22	PHASE B-
UNIPOLAR MOTOR			
5	YELLOW	UL1430 AWG22	COM PHASE A
6	WHITE	UL1430 AWG22	COM PHASE B

